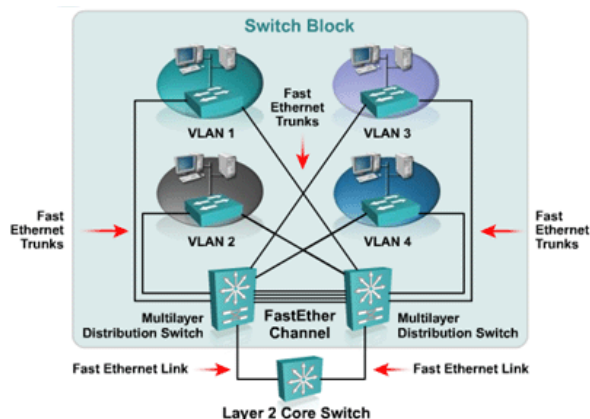


CCNP BSCI (642-901) Online Lab

The Topology diagram is shown below:



[Network Discovery-Router 1\]](#)

[Network Discovery-Router 2\]](#)

[Network Discovery-Router 3\]](#)

[Configuring Single Area OSPF 1\]](#)

[Configuring Single Area OSPF 2\]](#)

[Config OSPF NBMA Environment\]](#)

[Config OSPF NBMA Network\]](#)

[Config Multi-area OSPF Network\]](#)

[Verify MultiMulti-area OSPF Network\]](#)

[Stub Areas\]](#)

[Totally Stubby Areas\]](#)

[Not So Stubby Areas-Creation\]](#)

[Virtual Links Setup 1\]](#)

[Virtual Links Setup 2\]](#)

[IP Helper-Adress Command Redundant EIGRP Routers A-C\]](#)

[Redundant EIGRP Routers D&E\]](#)

[Redundant EIGRP Testing\]](#)

[EIGRP Across Frame-Relay I\]](#)

[EIGRP Across Frame-Relay II\]](#)

[Configuring BGP\]](#)

[BGP Route Reflection AS 100\]](#)

[IGRP integration\]](#)

[Directed-Broadcast Handling\]](#)

[Configuring Basic BGP\]](#)

[Creating a BGP Router Reflector\]](#)

[Configuring BGP Connection Weight\]](#)

[Modifying Redist Admin Distances\]](#)

[Redistribution with Router Filters\]](#)

[Router Map Creation\]](#)

And if you need some Ebooks for CCNP study, you can visit this post: [CCNP Books](#)