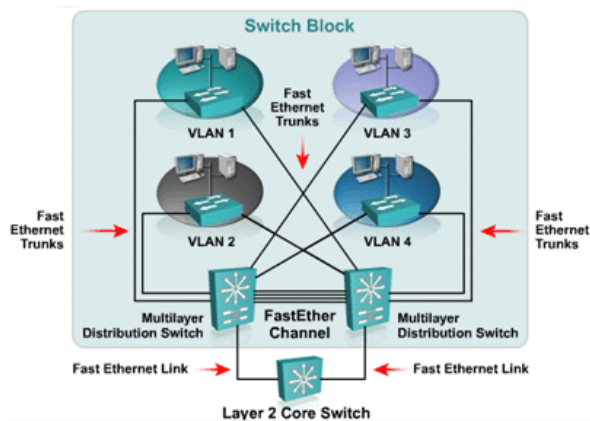


CCNP BCMSN (642-812) Online Lab

The Topology diagram is shown below:



[Configuring an Access Switch](#)]

[Configuring a Distribution Switch](#)]

[Backup Ethernet ASW1 to DSW2](#)]

[Trunk Configuration](#)]

[Activating and Limiting Trunking](#)]

[Creating a VTP Domain](#)]

[Verifying the VTP Domain](#)]

[Testing the VTP Domain](#)]

[Vlans to Access Switch Ports Verifying Spanning Tree-Acc. Switch](#)]

[Configure Fast Ethernet Channel](#)]

[Configuring Uplink Fast-Access Switch](#)]

[Configuring the Route Processor](#)]

[Configuring a Distribution Switch](#)]

[Config MLS on Router & Switch I](#)]

[Config MLS on Router & Switch II](#)]

[Access Lists](#)]

[HSRP and IP Multicast Routing](#)]

[Creating a VTP Mngmnt Domain](#)]

And if you need some Ebooks for CCNP study, you can visit this post: [CCNP Books](#)